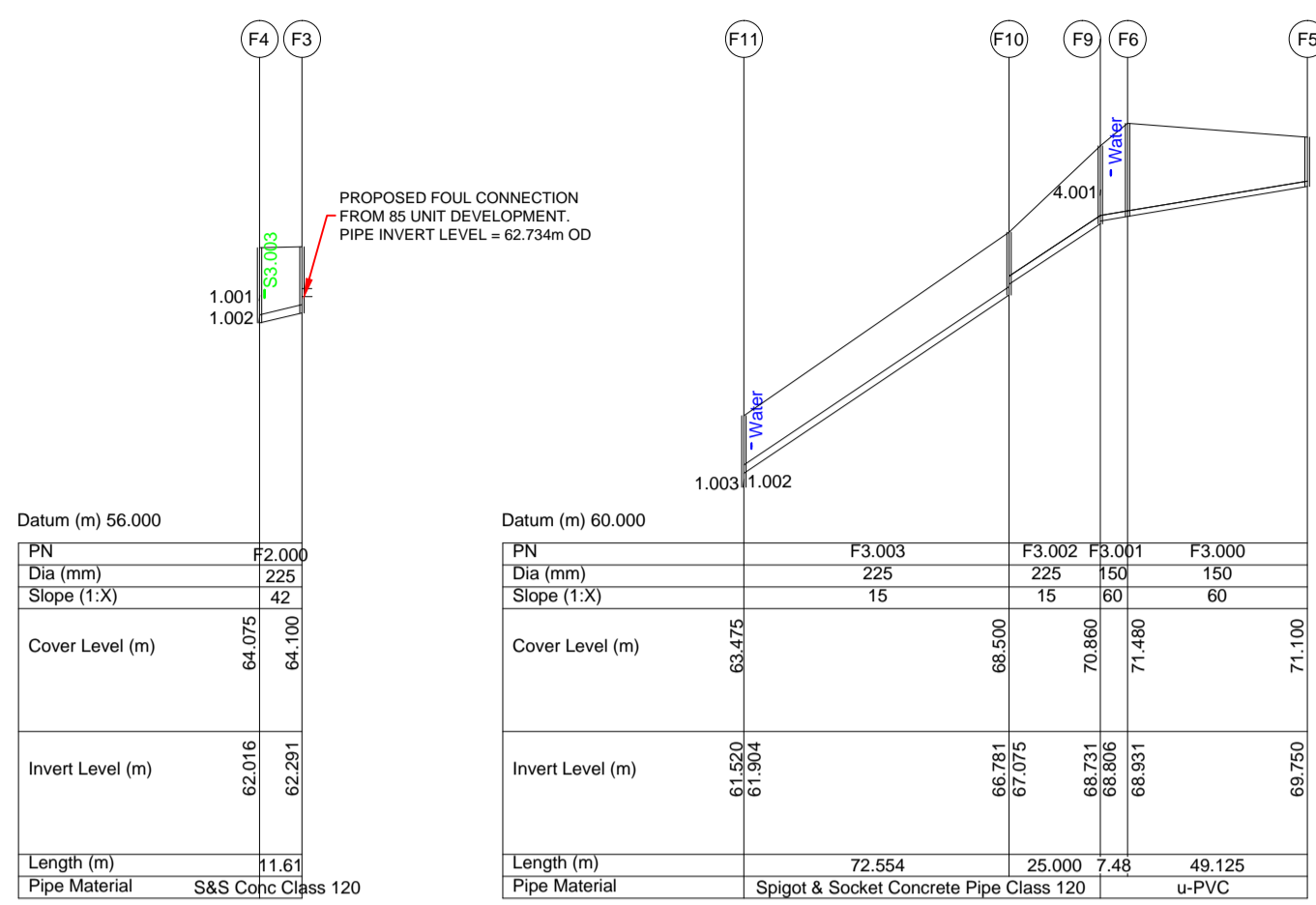


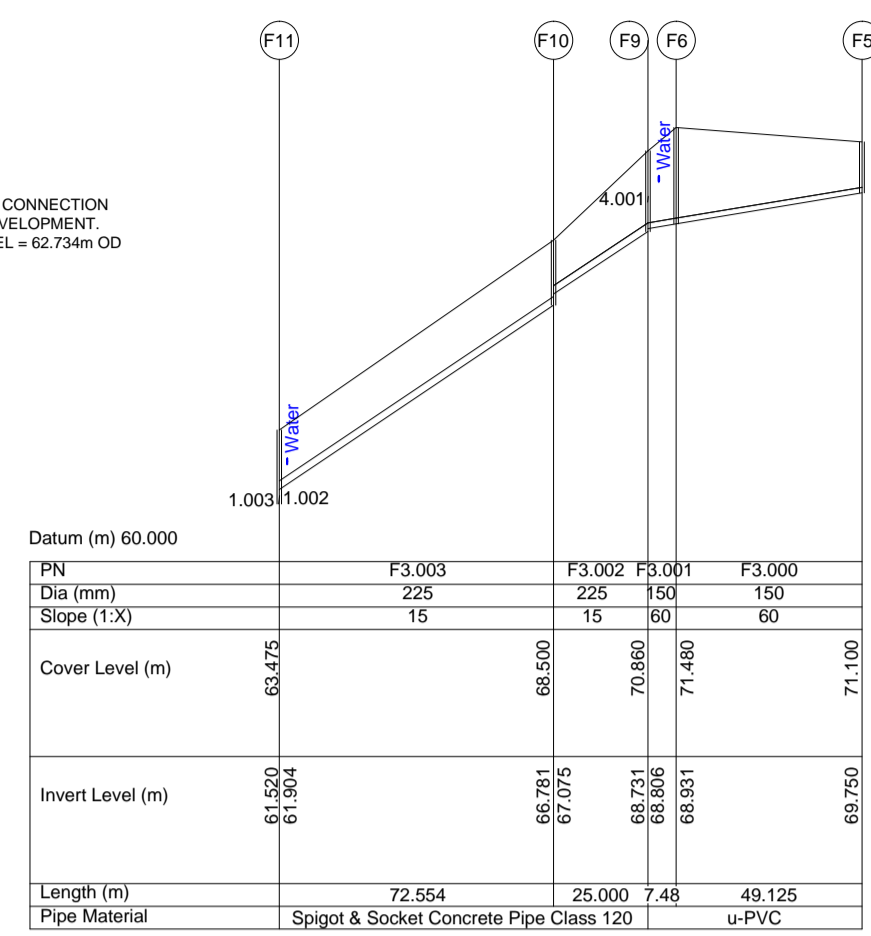
LEGEND

NOTES

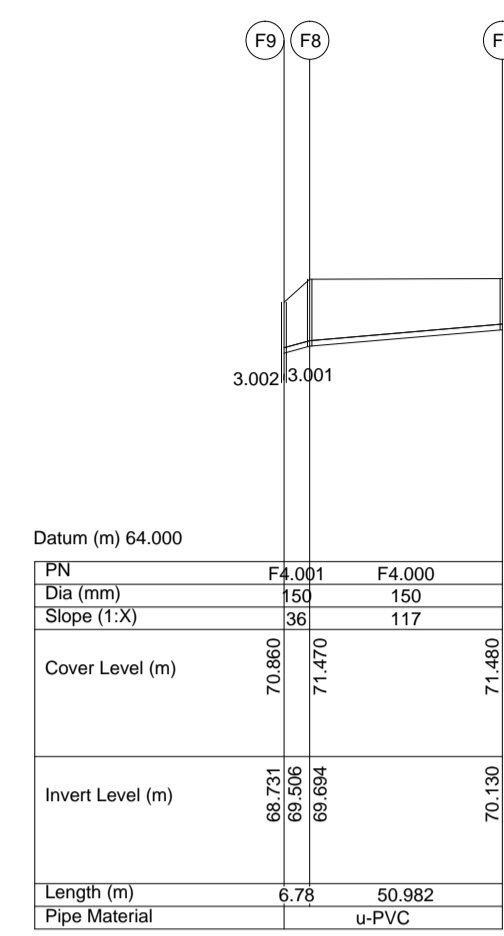
- ALL DRAINAGE WORKS SHALL BE CONSTRUCTED IN ACCORDANCE WITH:
 - "CIVIL ENGINEERING SPECIFICATION FOR THE WATER INDUSTRY" 7TH EDITION.
 - IRISH WATER "CODE OF PRACTICE FOR WASTEWATER INFRASTRUCTURE", DECEMBER 2017 (REVISION 03)
- MANHOLE FRAME & COVER TO BE:
 - CLASS D400 IN TRAFFICKED AREAS
 - CLASS B125 IN FOOTPATHS & LANDSCAPED AREAS
- FOUL PIPES CROSSING ABOVE STORMWATER PIPES SHALL BE SURROUNDED IN CONCRETE 2m ON EITHER SIDE OR HAVE NO PIPE JOINTS WITHIN 2m EITHER SIDE OF THE CROSSING POINT.
- REFER TO DRAWING IE1505-013-E FOR ADDITIONAL STANDARD DETAILS.
- REFER TO DRAWINGS IE1505-002-E TO IE1505-006-E, FOR FOUL WATER LAYOUT PLANS
- BACKDROP MANHOLES SHALL BE A MAXIMUM OF 2.5m IN DEPTH. BACKDROPS GREATER THAN 1.7m SHALL COMPLY TO IRISH WATER STANDARD DETAIL STD-WW-12 TYPE 1.



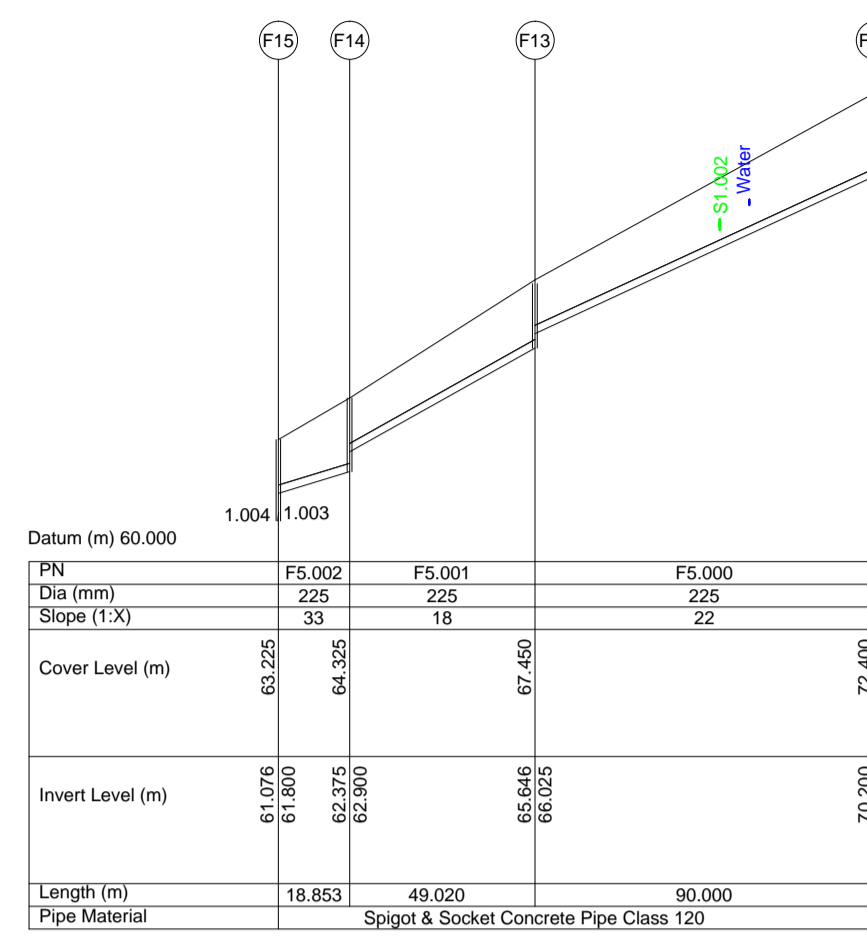
FOUL WATER PIPE F2.000
HORIZONTAL SCALE 1:2000
VERTICAL SCALE 1:200



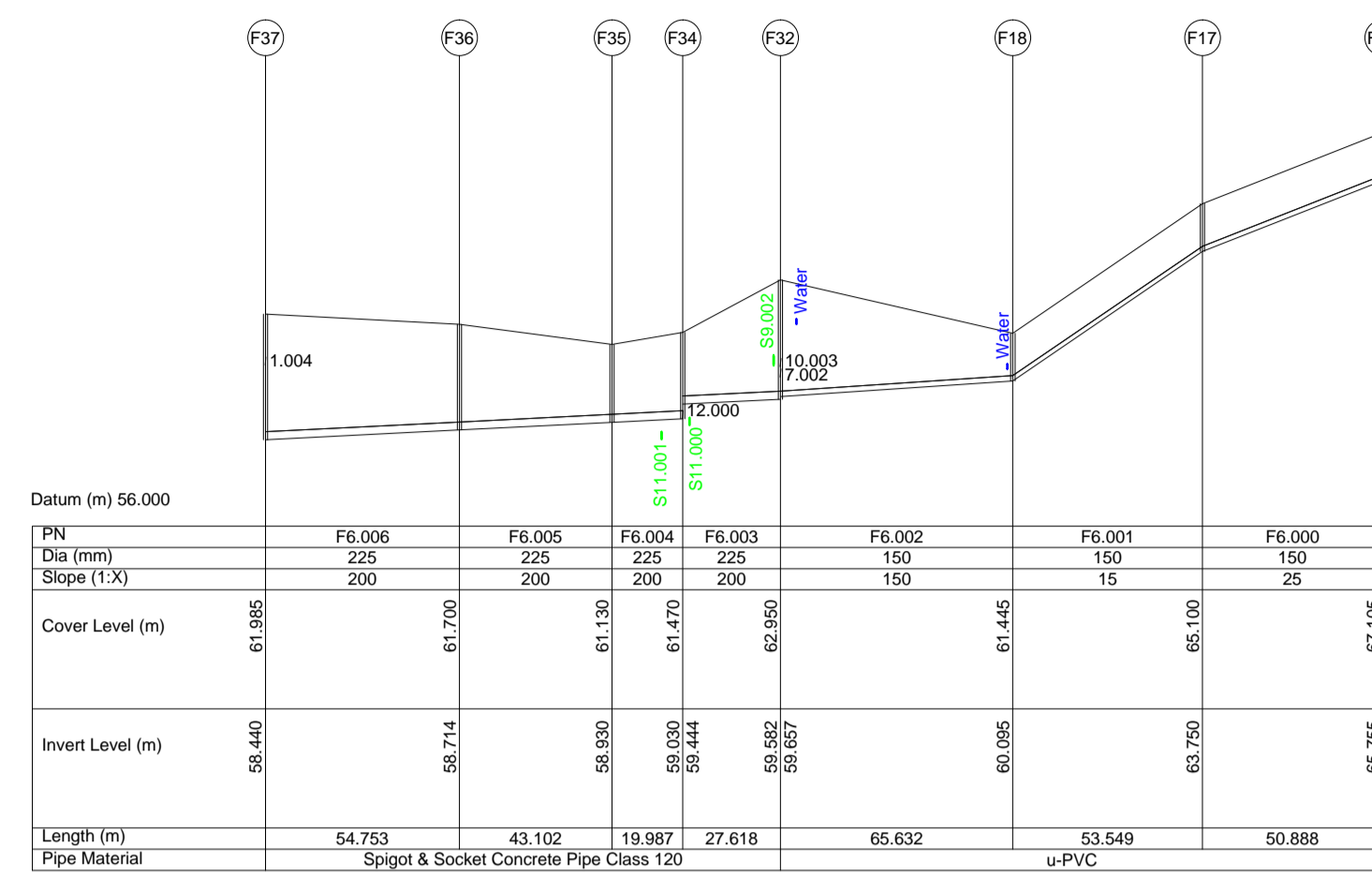
FOUL WATER PIPES F3.000 - F3.003
HORIZONTAL SCALE 1:2000
VERTICAL SCALE 1:200



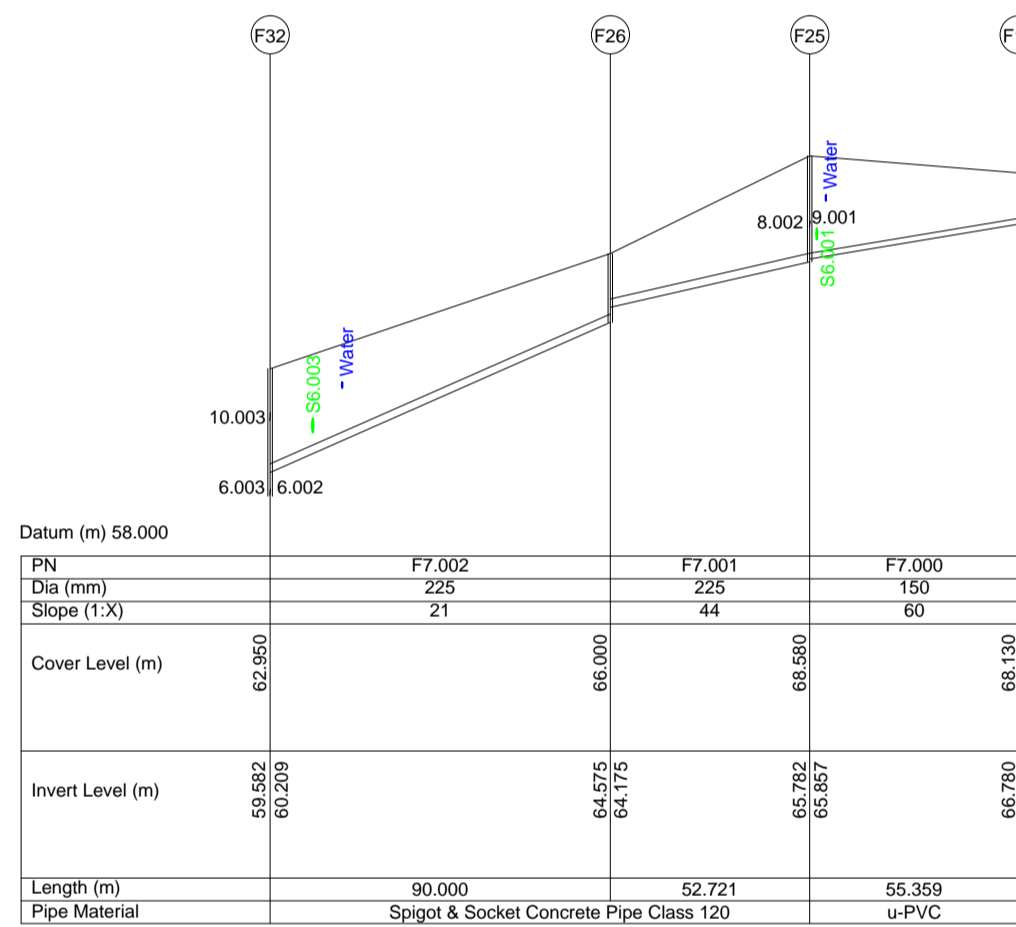
FOUL WATER PIPES F4.000 - F4.001
HORIZONTAL SCALE 1:2000
VERTICAL SCALE 1:200



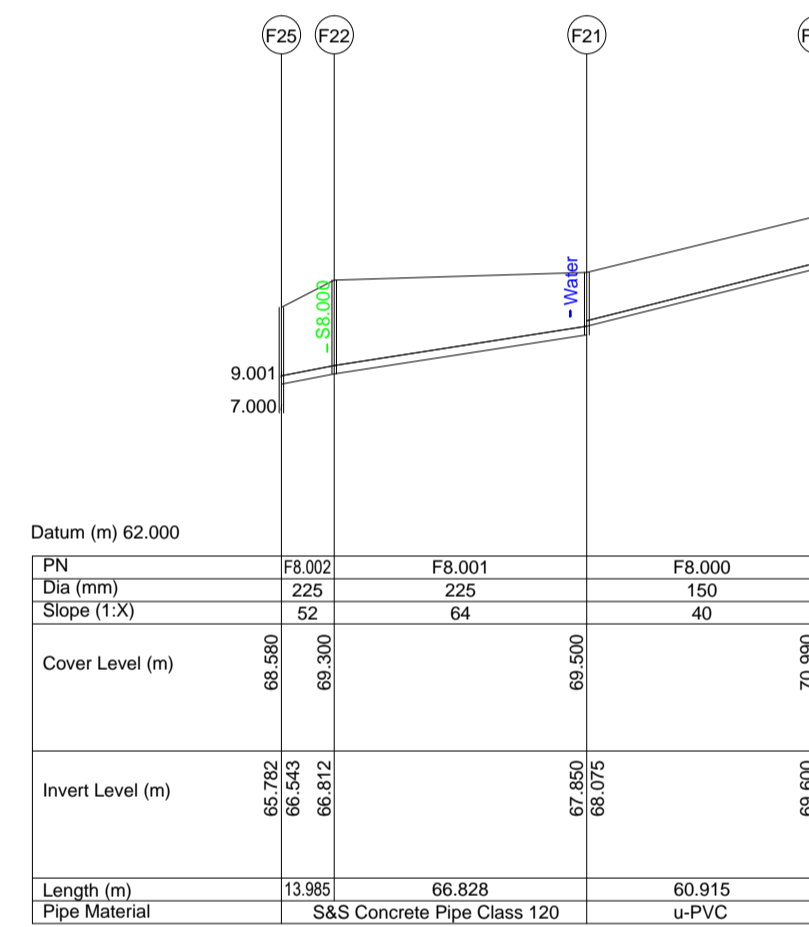
FOUL WATER PIPES F5.000 - F5.002
HORIZONTAL SCALE 1:2000
VERTICAL SCALE 1:200



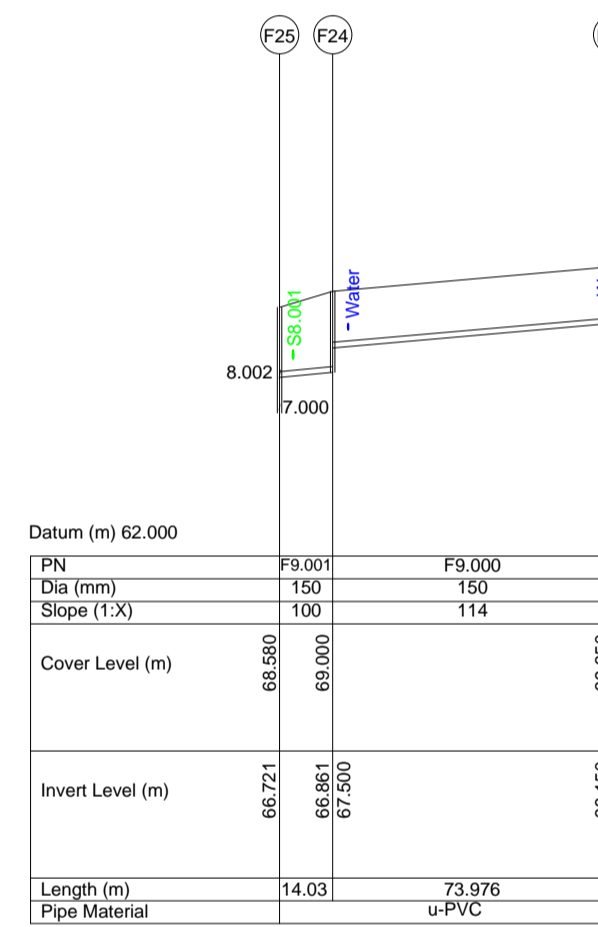
FOUL WATER PIPES F6.000 - F6.006
HORIZONTAL SCALE 1:2000
VERTICAL SCALE 1:200



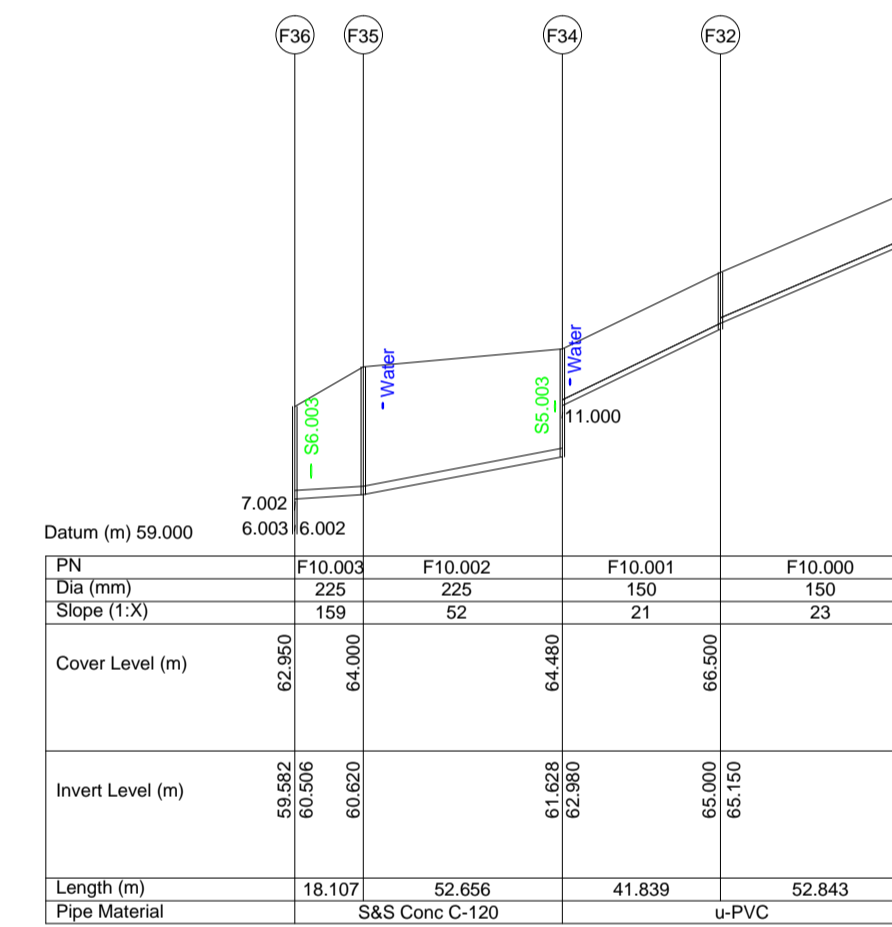
FOUL WATER PIPES F7.000 - F7.002
HORIZONTAL SCALE 1:2000
VERTICAL SCALE 1:200



FOUL WATER PIPES F8.000 - F8.002
HORIZONTAL SCALE 1:2000
VERTICAL SCALE 1:200



FOUL WATER PIPES F9.000 - F9.001
HORIZONTAL SCALE 1:2000
VERTICAL SCALE 1:200



FOUL WATER PIPES F10.000 - F10.003
HORIZONTAL SCALE 1:2000
VERTICAL SCALE 1:200

rev.	date	amendment	drn	ckd
E	11.01.19	PLANNING	NOM	PMS

PROPOSED HOUSING DEVELOPMENT
CREAGH, GOREY, CO. WEXFORD

PROPOSED FOUL & STORMWATER
DRAINAGE

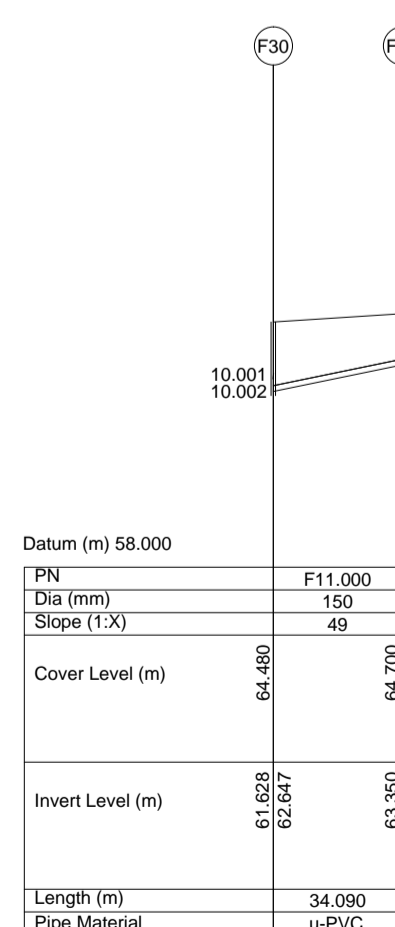
FOUL WATER LONG SECTIONS
SHEET 2 OF 2



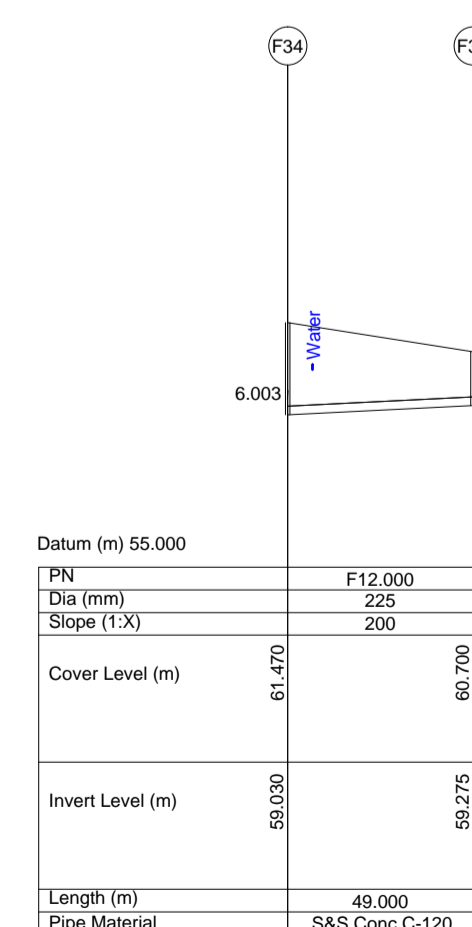
INNOVATION CENTRE TELEPHONE: 059 91 33084
GREEN ROAD FAX: 059 91 40499
CARLOW EMAIL: info@iece.ie

File location:	N:\IE1505\DRAWINGS	scale:	AS SHOWN	A1
drawing status:	PLANNING	datum:	MALIN	
drawing no.	IE1505-012	drawn:	NOM	
		checked:	PMS	
		approved:	PMS	
		date:	11.01.2019	

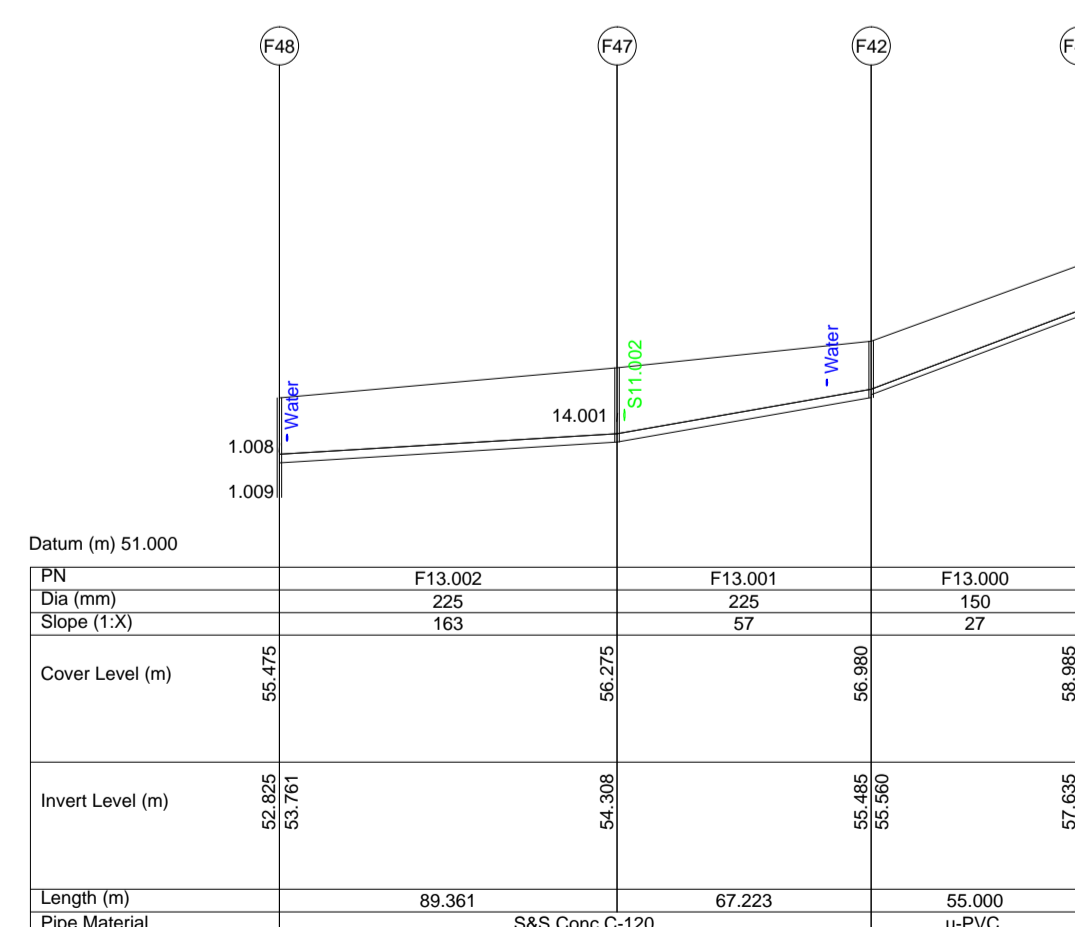
© IE Consulting. This drawing or its contents must not be reproduced for any purpose without written permission. It is to be used only for the purpose for which it is supplied.



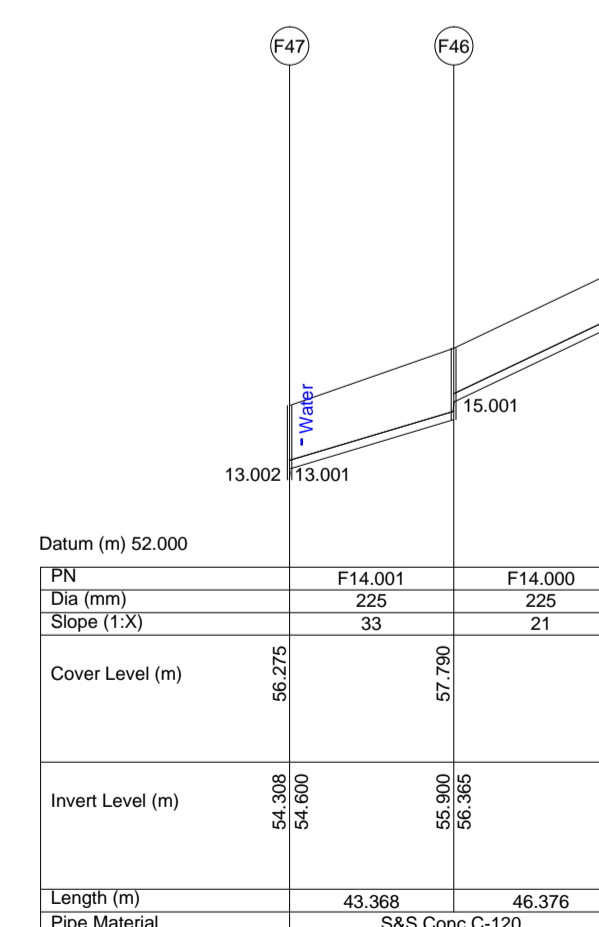
FOUL WATER PIPE F11.000
HORIZONTAL SCALE 1:2000
VERTICAL SCALE 1:200



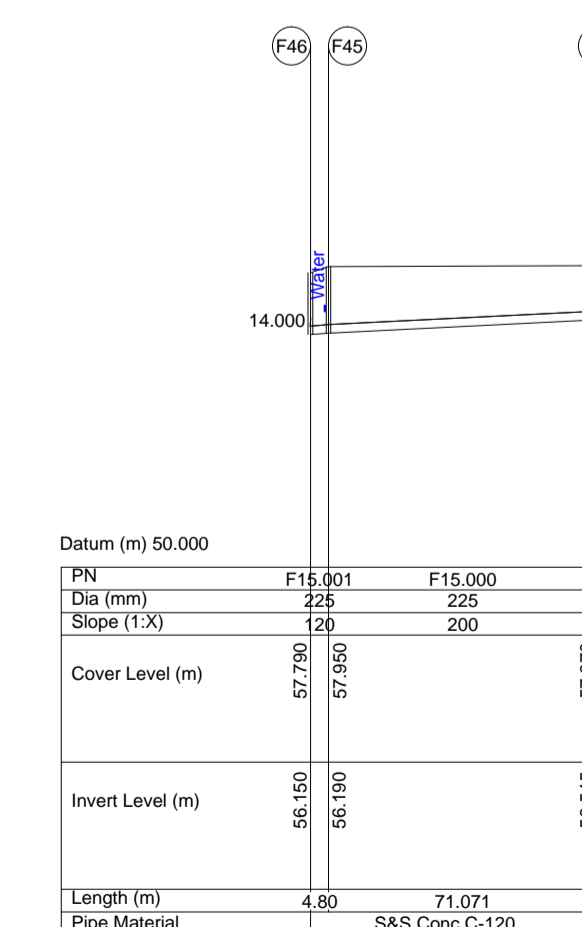
FOUL WATER PIPE F12.000
HORIZONTAL SCALE 1:2000
VERTICAL SCALE 1:200



FOUL WATER PIPES F13.000 - F13.002
HORIZONTAL SCALE 1:2000
VERTICAL SCALE 1:200



FOUL WATER PIPES F14.000 - F14.001
HORIZONTAL SCALE 1:2000
VERTICAL SCALE 1:200



FOUL WATER PIPES F15.000 - F15.001
HORIZONTAL SCALE 1:2000
VERTICAL SCALE 1:200